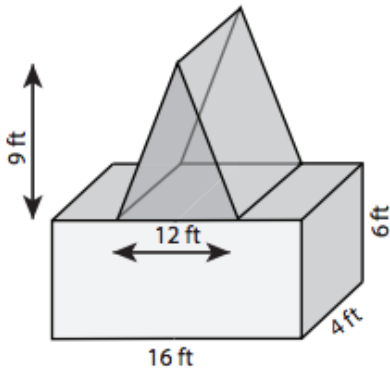


Find the volume of each solid.

1.

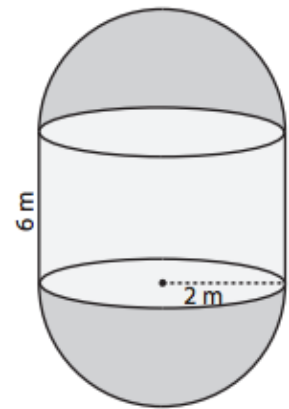


2.



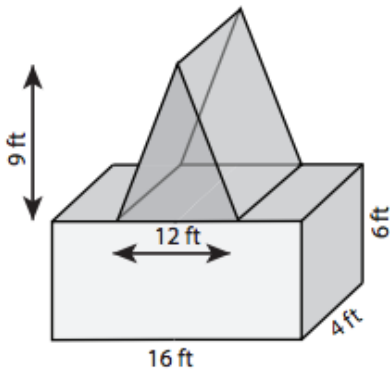
The radius is 1 inch.

3.



Find the volume of each solid.

1.



2.



The radius is 1 inch.

3.

