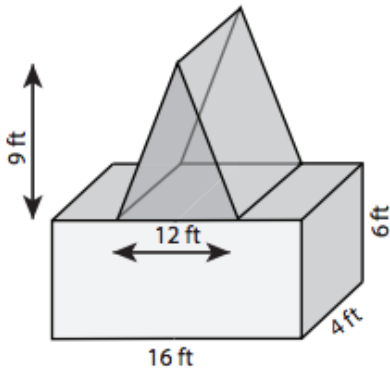


Find the volume of each solid. Show all work.

1.

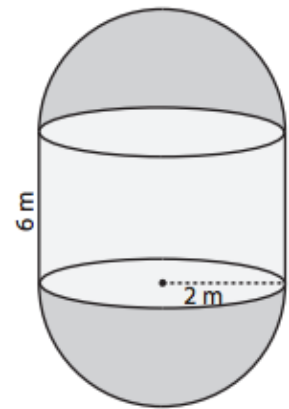


2.



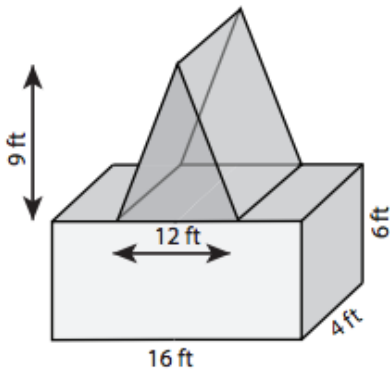
The inside radius is 1 inch.

3.



Find the volume of each solid. Show all work.

1.



2.



The inside radius is 1 inch.

3.

