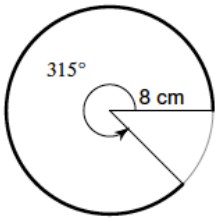
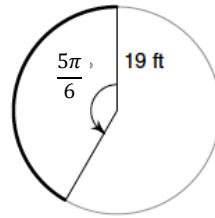


Find the length of each arc. Do not round.

1)

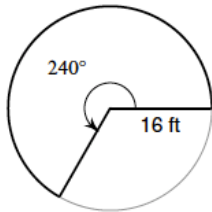


2)

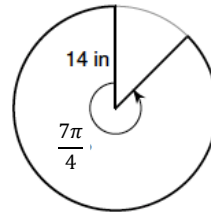


Find the area of each sector. Do not round.

3)

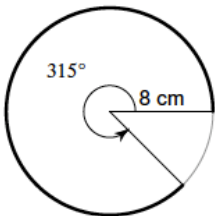


4)

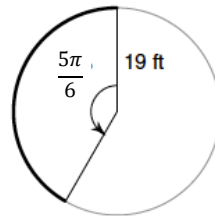


Find the length of each arc. Do not round.

1)

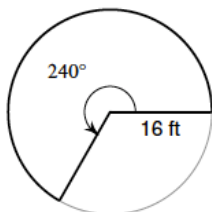


2)

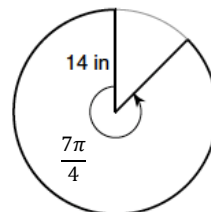


Find the area of each sector. Do not round.

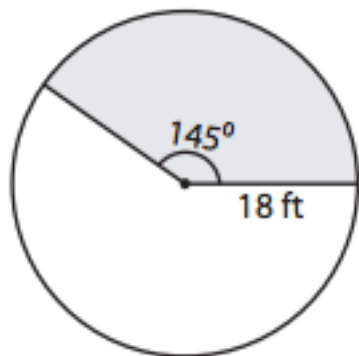
3)



4)

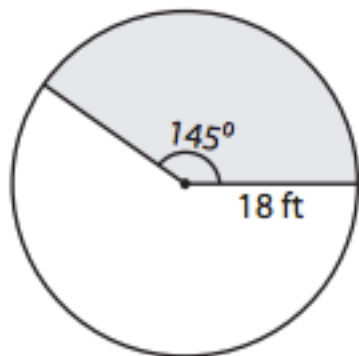


5. Find the area of the shaded sector.



6. A pumpkin pie is made in a pie pan measuring 10 inches in diameter. It is cut into 4 equal slices. What is the area of 1 piece of pie?

5. Find the area of the shaded sector.



6. A pumpkin pie is made in a pie pan measuring 10 inches in diameter. It is cut into 4 equal slices. What is the area of 1 piece of pie?